

- 2) Cut out door from one piece E as shown (Fig 3). Remember that the cut out door is again the cut out for the window. When cutting out the window, drill a 3/8" hole to start your jig saw.
- 3) Cut out window from piece F as shown (Fig 4).
- 4) Nail through pieces J to attach pieces K with 3 1/4" galvanized nails as shown (Fig 5). Nail pieces J to skid plates G with 3 1/4" galvanized nails. Ensure the tops of J, K and G are flush to ensure a good base for piece B. Nail floor piece B to skid base with 2" spaced 2" nails. Nail floor pieces C to skid base with the finished product or bolt it to stakes driven into the ground.
- 5) Nail two pieces M to each piece F flush on outside edges, 5/8" up from the notch, and 3 1/2" from the top with 2" nails. Nail through pieces F into seat supports X, the top edge of X being 18 1/2" from the bottom of piece F, and butting against piece M. Use 1 3/4" nails. The long part of piece X is towards the top.
- 6) Fit pieces F onto outer skid plate pieces K, and tack onto K with a couple of 2" nails to dry fit sides. Now tack pieces E onto skid plates G with a couple of 2" nails. Ensure door is on the front (Fig 6). Nail pieces E to F with 2" nails. Now nail the bottoms of pieces E and F to skid plates G and pieces K respectively with 3 1/4" nails. Pre-drill three 3/16" holes in each of the ends of seats D, 3/4" from the end, and then nail to supports X with 3 1/4" nails.
- 7) Pre-fit pieces H into the shelter so that they rest on pieces M. Nail through pieces H into the pieces FM, with nails. Nail the corners of pieces H together with 3 1/4" nails. B) Pre-drill ten 1/8" holes, inset 3/8" along the long edge of R, evenly spaced. Nail the long sides of mouldings R to the edge of mouldings O with 2" nails. Now nail on corner mouldings, nailing alternatively through O and R to ensure a tight fit.
- 9) Screw and glue two pieces L onto both beveled edges of one piece A. Locate pieces L 4 1/2" down from the top of a piece A, using four 2 1/2" #8 flathead screws (exploded view). Repeat for a second piece A. Fit the four pieces A together, and screw through pieces A into pieces L using 1 1/2" #8 flathead screws, four per A.
- 10) Drill 1/4" hole in weatherone as shown (illustration 5). Drill a 1/4" hole 3" deep into the top (short side) centre of piece V. Drill a hole from underneath the roof through the exact centre of the peak. Fit threaded rod into piece V, slide on one washer and then screw on two nuts tightly 1" above where the rod fits into V. Slide rod through hole in peak, and attach piece V by screwing through roof with four #8 1 1/2 flathead screws. From the top, slide on one washer, and then tighten two nuts flush with the washer. Tighten two nuts 3" above the peak, slide on a washer, then the vane, and then another washer and two more nuts. The weatherone should turn easily, and the rod should not come out.
- 11) Fit roof onto shelter, and attach to pieces H with 1 1/2" flathead screws, ensuring roof is sitting level.
- 12) Screw through front piece E into doorstop S as shown (Fig 8) with 10 #8 1" flathead screws, ensuring you use glue. Hang door with hinges and hardware.
- 13) Pre-drill a 1/8" hole up through sill support T as shown (illustration 4) and screw to sill W with #8 2" flathead screws. Ensure the back edge of T is flush to the back edge of W. Stand inside shelter, screw ledge just under window sill. Screwing through wall attach sills with 2" flathead screws.
- 14) Cut and pre-drill 3/16" holes, (do not countersink), in acrylic washers.
- 15) Send project, especially around the interior seat. Point with two coats of exterior enamel paint.

On materials:

Use fir or spruce plywood, good one side.

TOOLS

- Table Saw and Jigsaw
- Pencil and Measuring Tape
- Power or Hand Drill
- 1/16", 1/8", 1/4", 3/8" drill bits
- Hammer and Screwdrivers
- Square and Nail Set
- Shovel and Wood Palses
- Point Bush and Pilot
- Power Sander (optional)

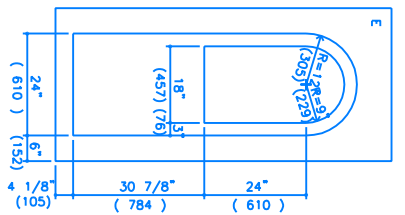


FIGURE 3

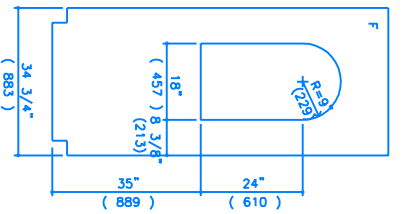


FIGURE 4



FIGURE 7

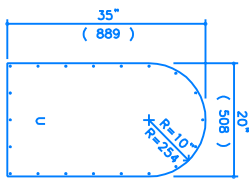
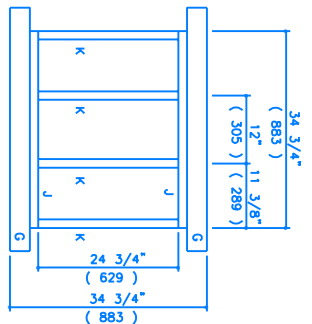
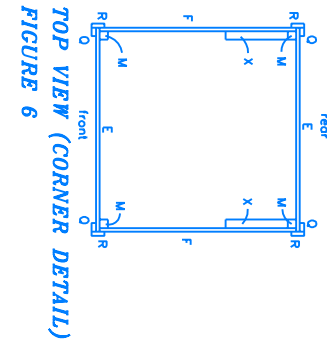


FIGURE 9

Two Polycarbonate acrylic 3/16" windows with holes predrilled at 5" centers. Windows to be fixed to inside of shelter with No.8 screws 5/8" long.



SKID BASE
FIGURE 5



TOP VIEW (CORNER DETAIL)
FIGURE 6

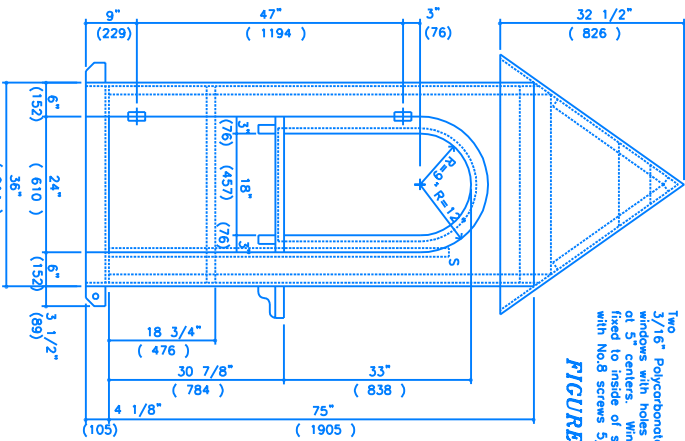
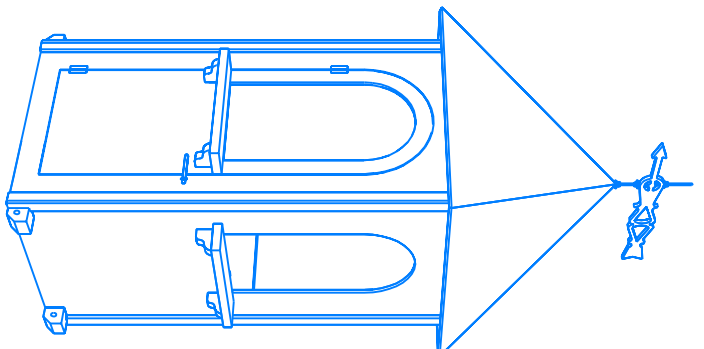


FIGURE 8

